

Tampico TB9

[BACK TO TB MODEL INFO](#)

The Tampico is the 160HP fixed gear, fixed prop member of the Caribbean family, however like all of the family it has excellent visibility and handling characteristics. While originally targeted purely at the training market, there are now a significant number in private hands in the US. Performance figures quoted are for the Tampico "Sprint" version which has wheel pants as well as a "cruise pitched" prop.

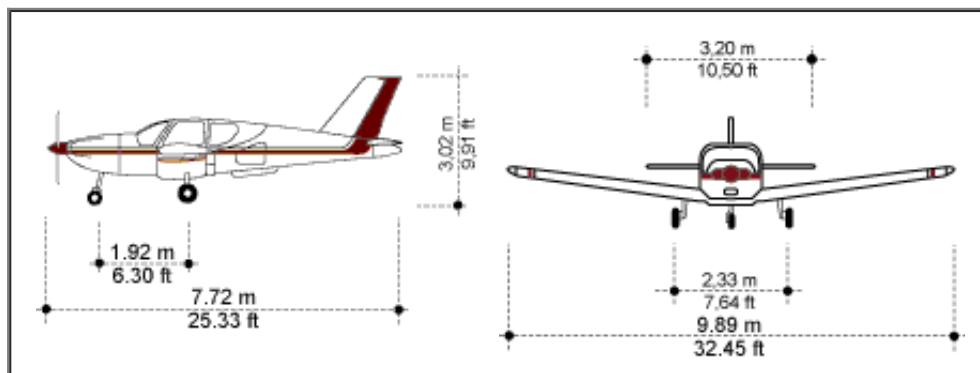


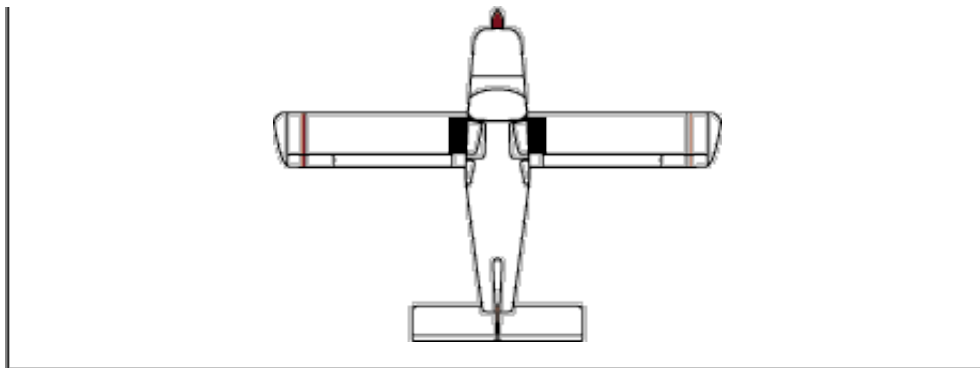
TB9 Tampico "Sprint" picture courtesy of Socata

Performance (ISA)

- Rate of climb (sea level - max weight) :	665 ft/mn
- Maximum cruising speed (6,000 ft at 75% Power):	115 KTAS
- Demonstrated crosswind :	25 kt
- Operating ceiling:	11,000 ft

Dimensions





Graphics courtesy of Socata Aircraft - Groupe Aerospatiale

Loading

- Maximum take-off weight :	2,337 lbs
- Average Empty Weight :	1,520 lbs
- Typical useful load :	817 lbs
- Maximum luggage compartment weight :	143 lbs

Shots of the TB9 Cockpit and Landing Gear
courtesy of Socata

Take-off & Landing Distances (ISA - 2,337 lbs)

- Take-off (50 ft) :	1,870 ft
- Landing (50 ft) :	1,378 ft
- Maximum range :	591 NM

Powerplant

- Manufacturer :	Lycoming
- Type :	O-320-D2A 4 cylinders
- Power rating :	160 BHP at 2,700 RPM
- Recommended TBO :	2,000 hours

Propeller

- Manufacturer :	Sensenich
- Diameter :	74 in
- Blades :	2
- Type :	Fixed pitch

Fuel

- Type :	100 LL
- Total fuel capacity :	41.7 US gal
- Usable fuel :	40.2 US gal

Specifications courtesy of EADS Socata

©Socata TB Users Group. Copyright Information
Disclaimer

